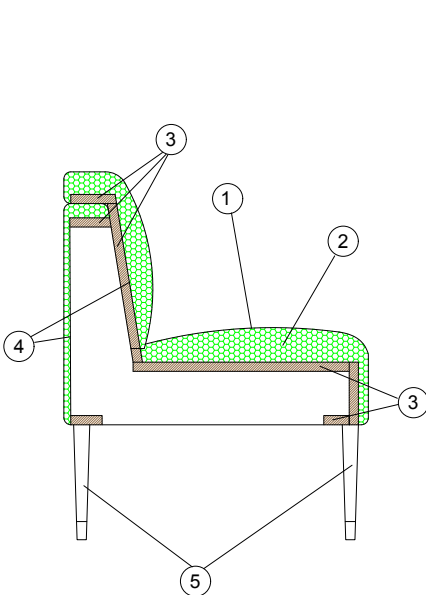
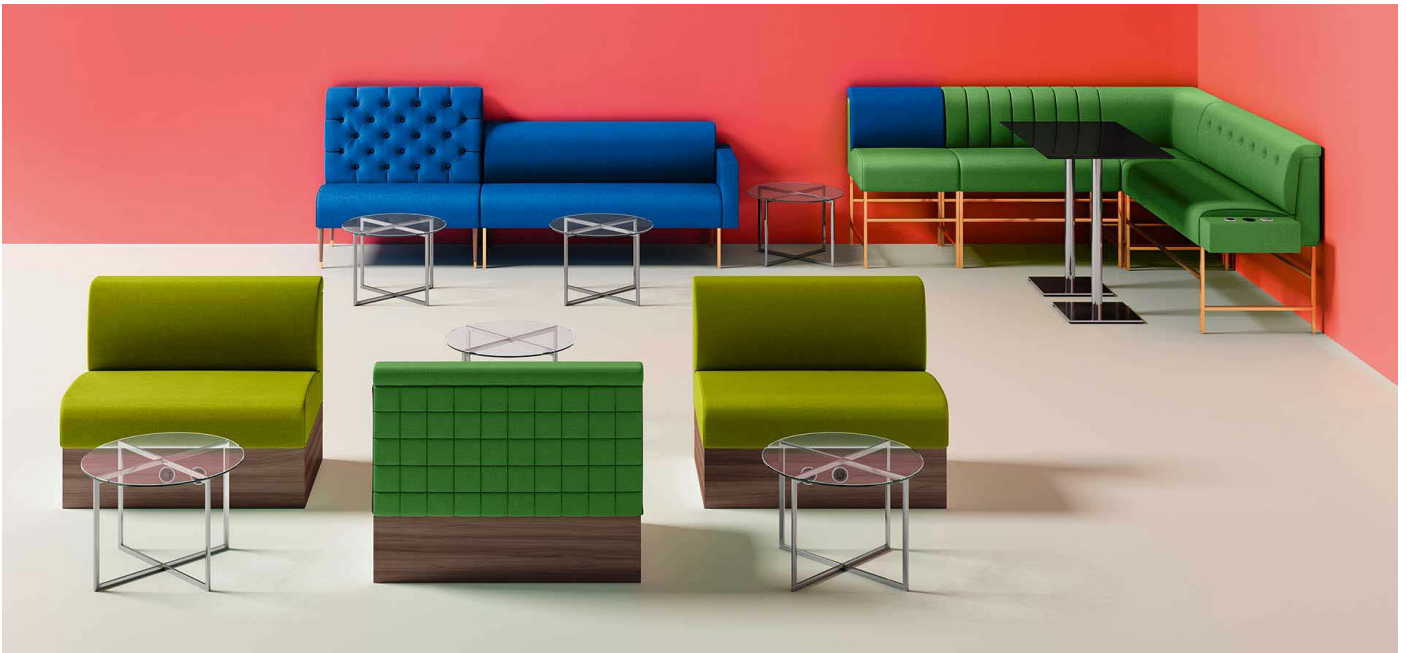
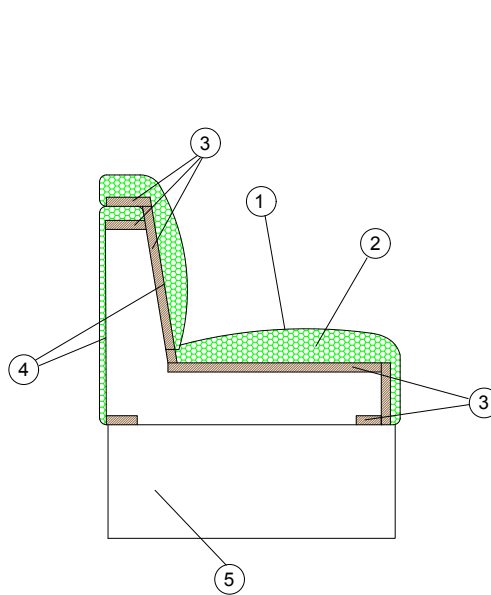


# NANA



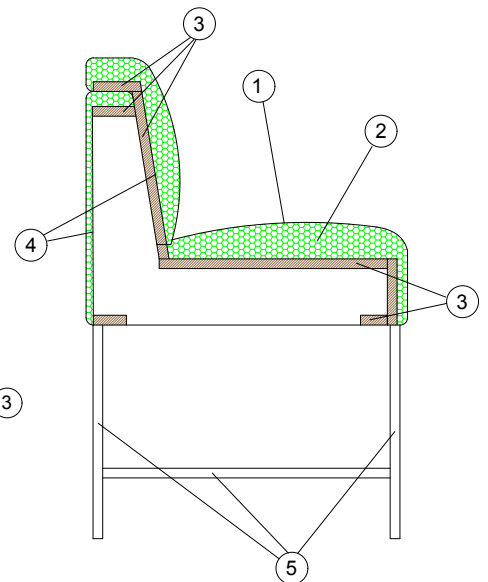
## NANA:

- 1 - dacron® fiber 100 gr;
- 2 - high resiliency polyurethane foam of different densities;
- 3 - structural frame in plywood;
- 4 - structural frame in MDF;
- 5 - metal conic legs/metal tubular legs.



## NANA BASE:

- 1 - dacron® fiber 100 gr;
- 2 - high resiliency polyurethane foam of different densities;
- 3 - structural frame in plywood;
- 4 - structural frame in MDF;
- 5 - plinth in laminated plywood.

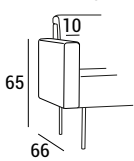


## NANA HIGH:

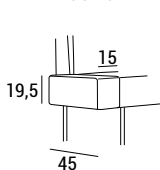
- 1 - dacron® fiber 100 gr;
- 2 - high resiliency polyurethane foam of different densities;
- 3 - structural frame in plywood;
- 4 - structural frame in MDF;
- 5 - metal tubular legs.

## DIMENSIONS:

ARMREST

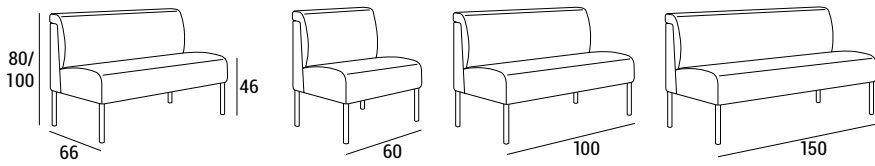


PLUG BOX



# NANA

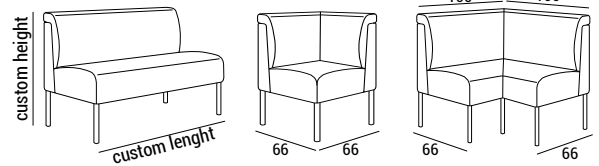
## Nana



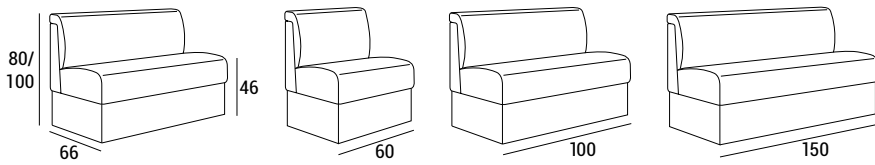
LINEAR METER

SMALL CORNER

BIG CORNER



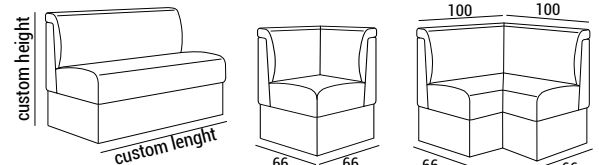
## Nana base



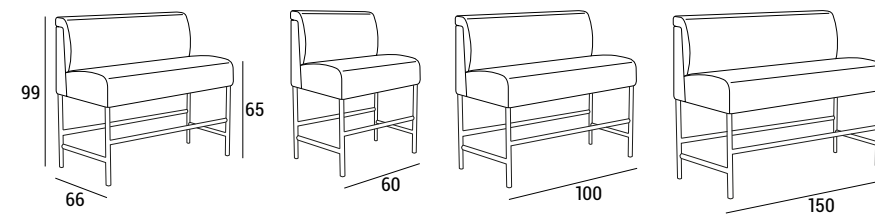
LINEAR METER

SMALL CORNER

BIG CORNER



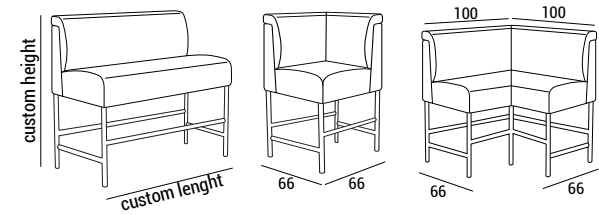
## Nana high



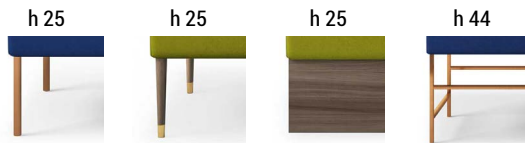
LINEAR METER

SMALL CORNER

BIG CORNER

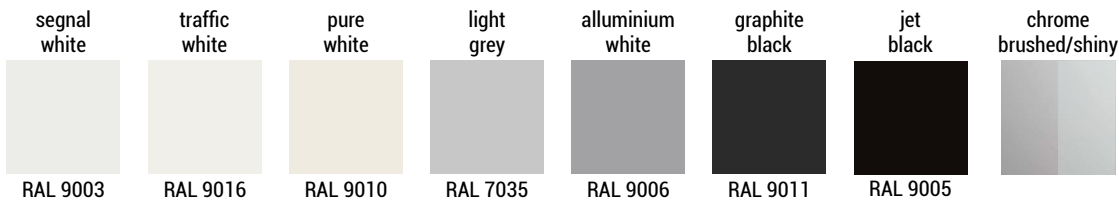


## LEGS AND PLINTH:

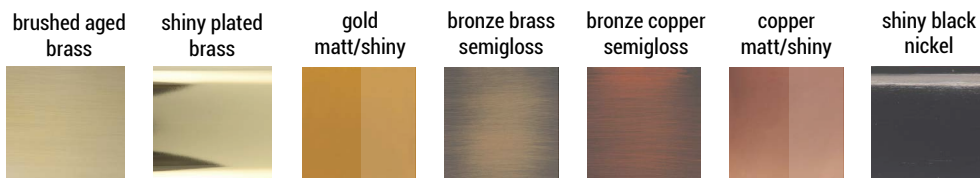


## FINITURE GAMBE METALLO:

### STANDARD



### OPTIONAL



## LAMINATE PLINTH FINISHINGS:

### STANDARD



### OPTIONAL



# NANA

## PLUGS: ONLY IN THE PLINTH/PLUG BOX



Schuko socket.  
Power supply 230 V.  
UK and USA plug on demand.



Two USB socket.  
Power supply 230 V.  
Different voltage upon request.



Wireless smartphone charger.  
Power supply 230 V.  
Different voltage upon request.

## BACKREST FINISHINGS:



Deep capitonné



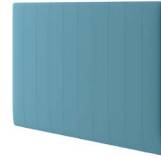
Diamond with button



Sewn pattern



Foamed pattern



Sewn fluted



Deep fluted



Buttons

## TECHNICAL DETAILS:

Removable cover: NO	kg	m <sup>3</sup>	mts		kg	m <sup>3</sup>	mts
NANA ARMREST	/	0.31	1.00	NANA BASE 3S H 80	39	0.79	4.50
NANA PLUG BOX	/	0.31	0.50	NANA BASE CORNER SMALL H 80	16	0.34	4.60
NANA LEGS 1S H 80	13	0.31	1.90	NANA BASE CORNER BIG H 80	39	0.80	3.30
NANA LEGS 2S H 80	21	0.34	2.50	NANA BASE 1S H 100	15	0.31	2.30
NANA LEGS 3S H 80	33	0.79	4.50	NANA BASE 2S H 100	29	0.34	2.90
NANA LEGS CORNER SMALL H 80	13	0.34	4.60	NANA BASE 3S H 100	42	0.79	4.90
NANA LEGS CORNER BIG H 80	31	0.80	3.30	NANA BASE CORNER SMALL H 100	19	0.34	4.90
NANA LEGS 1S H 100	16	0.31	2.30	NANA BASE CORNER BIG H 100	42	0.80	3.70
NANA LEGS 2S H 100	24	0.34	2.90	NANA BASE LINEAR METER SOFA H 100	/	0.65	/
NANA LEGS 3S H 100	36	0.79	4.90	NANA HIGH 1S	15	0.39	1.90
NANA LEGS CORNER SMALL H 100	16	0.34	4.90	NANA HIGH 2S	23	1.50	2.50
NANA LEGS CORNER BIG H 100	35	0.80	3.70	NANA HIGH 3S	35	2.15	4.50
NANA LEGS LINEAR METER SOFA H 80	/	0.65	/	NANA HIGH CORNER SMALL	15	0.43	4.60
NANA BASE 1S H 80	16	0.31	1.90	NANA HIGH CORNER BIG	34	0.99	3.30
NANA BASE 2S H 80	26	0.34	2.50	NANA HIGH LINEAR METER SOFA	/	0.65	/

## PHOTO GALLERY:



Nana with metal tubular leg and plain backrest



Nana base with laminate plinth and diamond pattern with button backrest 02



Nana with metal conic leg and deep fluted 07



Nana with metal conic leg and deep capitonne 01



Nana High with metal tubular leg and plain backrest